

AZ4 HTE-S IMPACT Junior with BLACK AIR CAP

Impact Junior
AZ4 HTE-S

SMART and **SPOT** REPAIR



AZ4 HTE-S

70 ml gravity cup



The **AIR GUNSA** range has been specially enhanced by the launch of the **AZ4 HTE-S IMPACT Junior**. This version of the new gun has been specially designed to achieve those **SMALL** to **MEDIUM** Repairs on a vehicle body that can be perfectly repaired with high transfer efficiency, more control and maximum comfort for the operator.

Ideal for both water based and solvent based paints with adjustable inlet valve as standard. Available with 70 ml cup.



TECHNICAL	Ø mm	No.	bar	ml/min	l/min	mm
AZ4 HTE-S	0.8	AZ4-1	1.0	50	105	120
	1.0			65		150
	1.2			80		160

Air Nipple: G1/4" - Fluid Nipple: G1/4"

NOZZLE SIZE: from ø 0.8 to ø 1.2

Order Information

	ø 0.8	ø 1.0	ø 1.2	SEK
AZ4 HTE-S - with 70 ml CUP	13001130	13001140	13001150	1 495,00
NOZZLE + NEEDLE SET	93004580	93004590	93004600	275,00
AIR CAP SET - AZ4-1	93003740			425,00

AZ4 HTE-S IMPACT Junior with ANODIZED GRAY AIR CAP

Impact Junior
AZ4 HTE-S

GENERAL INDUSTRY



AZ4 HTE-S

200 ml gravity cup



The **AIR GUNSA** range is enhanced by the new **AZ4 HTE-S IMPACT Junior**. This version of the new gun has been specially designed so **GENERAL INDUSTRY** Applications can be painted with high transfer efficiency, more control and maximum comfort for the operator.

Ideal for both water based and solvent based paints with adjustable inlet valve as standard. Available with 200 ml cup.



TECHNICAL	Ø mm	No.	bar	ml/min	l/min	mm
AZ4 HTE-S	1.3	AZ4-2	2.5	160	230	150
	1.5			195		165
	1.8			275		185

Air Nipple: G1/4" - Fluid Nipple: G1/4"

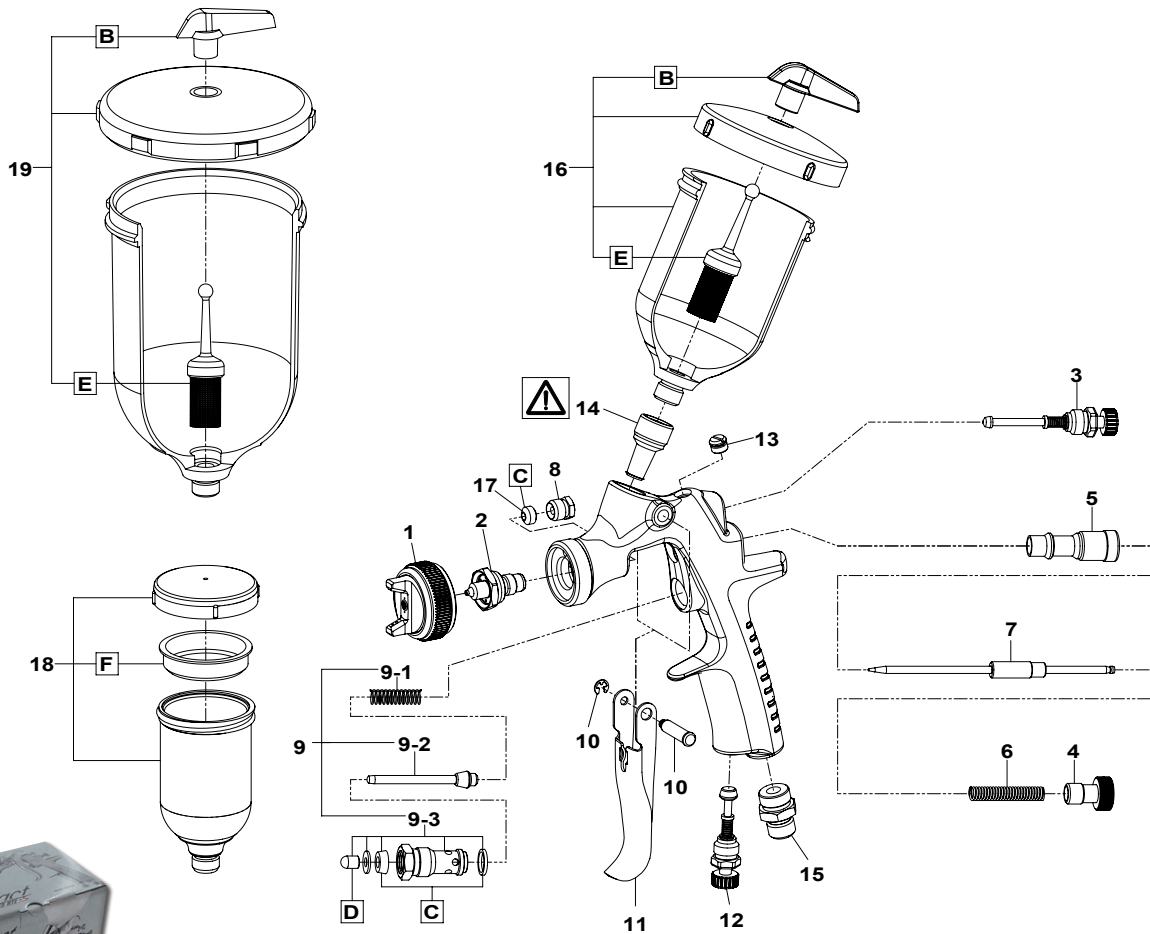
NOZZLE SIZE: from ø 1.3 to ø 1.8

Order Information

	ø 1.3	ø 1.5	ø 1.8	SEK
AZ4 HTE-S - with 200 ml CUP	13000740	13000750	13000980	1 495,00
NOZZLE + NEEDLE SET	93004620		93005650	275,00
AIR CAP SET - AZ4-2	93003750			425,00



AZ4 HTE-S IMPACT Junior SPARE PARTS



CARTON BOX

AZ4 HTE-S Spray Gun
PCG-2P-2 - 200 ml Cup

AZ4 HTE-S Spray Gun
PCG-1P-2 - 70 ml Cup

Spare Parts | Order Information

Ref.	Code	Description	Qty	SEK
SPARE PARTS LIST				
3	93842601	PATTERN ADJUSTMENT SET		440
4	W2010141000	FLUID NEEDLE ADJ. KNOB		23
5	W2010140900	FLUID NEEDLE GUIDE		31
6	W2010140800	FLUID NEEDLE SPRING		4
8	W2COM3011	NEEDLE PACKING NUT		15
9	W2COM6080	AIR VALVE SET		112
9-1	W2010141700	AIR VALVE SPRING		14
9-2	W2010130600	AIR VALVE		34
9-3	W2010130500	AIR VALVE SEAT		57
10	W2COM4001	TRIGGER STUD		11
11	93003810	TRIGGER		63
12	93845531	AIR ADJUSTMENT SET		402
13	W2COM6050	PLUG		18
14	W3COM5038	THREADED BUSHING		159
15	W2COM5000	AIR NIPPLE		36
C	93005550	PACKING SET	(3 pcs./1 pk.)	61
D	W2KIT37	AIR VALVE SHAFT TIP SET	(5 pcs./1 pk.)	49

Ref.	Code	Description	SEK
PCG-2P-2 GRAVITY CUP 200ml			
16	WOCUPAZ40IN	PCG-2P-2 GRAVITY CUP 200 ml	377
B	W2KIT07	NON DRIP SET (5pcs./1 pk.)	76
E	W2KIT06	FILTER SET 50 Mesh (297µ) (5pcs./1 pk.)	228
PCG-1P-2 GRAVITY CUP 70ml			
18	13001200	PCG-1P-2 GRAVITY CUP 70 ml	210
G	W2KIT52	NON DRIP SET (3 pcs./1 pk.)	74
	93505910	UNIVERSAL SPANNER	85

